

Main Features

- Heavy duty stainless steel construction
- Magnetically shielded
- Radial exit
- Captive guided extension
- Mild steel M6 rod end bearings
- Sealed to IP65 or IP68
- 4 or 6 wire 2M PVC cable



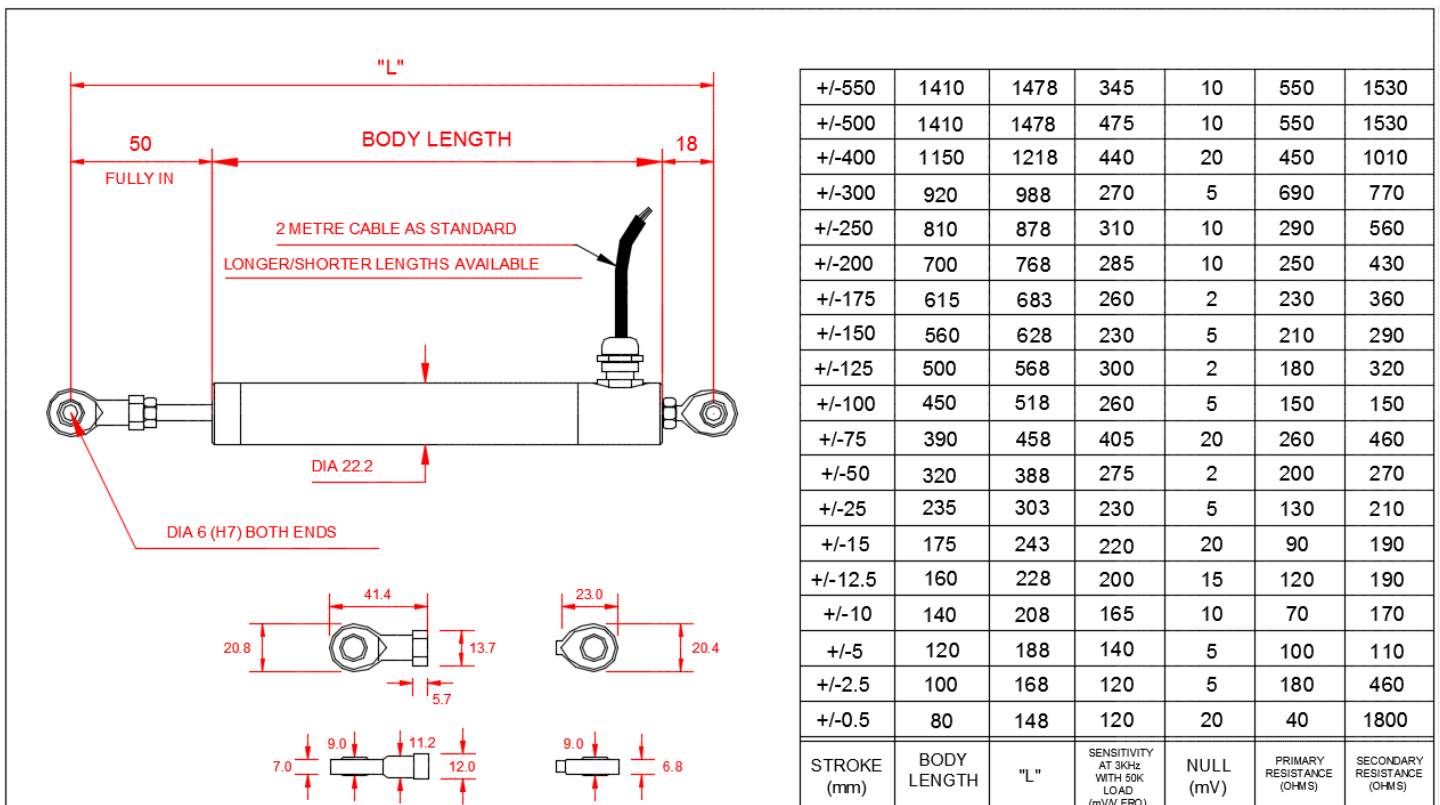
Technical Specification

Product Code	IER
Stroke	±0.5mm to ±550mm
Input Voltage	5V RMS @ 3kHz (others available)
Sensitivity	50 – 460mV/V/FRO (dependant on stroke)
Non-Linearity	±0.5% of full range, (higher specification can be achieved at extra cost)
Repeatability	Better than 0.1%
Resolution	Infinite (dependent on measuring instrument)
Frequency Response	3dB @ 180Hz (dependent on conditioning unit)
Current Range	0.5mA – 8mA
Temperature (standard)	-30° C to + 85° C
Temperature (high)	-30° C to + 150° C
Temperature (very high)	-30° C to + 200° C
Vibration Resistance	20g up to 2kHz
Shock Resistance	1000g for 10 milliseconds
Coil Impedance	600Ω + 100Ω (3kHz)
Insulation Resistance	Above 10MΩ at 500VDC (between wires and case)
Dielectric Strength	500V RMS for one minute (between wires and case)
Magnetic Shielding	Internal magnetic shielding
Construction Material	Stainless steel
Sealing	IP65

Option Description

- J 4 wire device
- G Extension rod wiper
- W Waterproof IP68, with stainless steel M6 rod end bearings
- H High temperature 150°C, with PTFE cable and stainless steel M6 rod end bearings
- VH Very high temperature 200°C, with PTFE cable and stainless steel M6 rod end bearings
- Z Armoured hose
- L Increased linearity, $\pm 0.25\%$

Dimensions



Connection Details

4 Wires (PVC or PTFE, High Temperature 150°C)

Red : Primary +ve
Yellow : Primary -ve
Blue : Secondary +ve
Green : Secondary -ve

6 Wires (PVC)

Yellow : Primary +ve
Black : Primary -ve
Blue : Secondary 2 -ve (Centre Tap)
White : Secondary 2 +ve
Green : Secondary 1 +ve
Red : Secondary 1 -ve (Centre Tap)

6 Wires (PTFE, High Temperature 150°C)

Yellow : Primary +ve
Black : Primary -ve
Blue : Secondary 2 -ve (Centre Tap)
Brown : Secondary 2 +ve
Green : Secondary 1 +ve
Red : Secondary 1 -ve (Centre Tap)