

ATEX and IECEx Group II certified. General purpose, top-entry, constant current accelerometer with isolated AC output. Made from robust stainless steel throughout for long term vibration analysis in harsh, hazardous gas and dust environments. 3 wire device, requires -24V supply. Sealed to IP67 and includes 3 pin MS connector, available with a wide range of mountings.

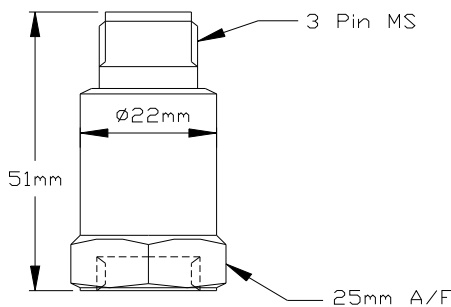
## Applications

- General Industry
- Compressors, Pumps, etc
- Oil, Petrochemical, Mining
- API 670

## MTN/1109I



## Dimensions



## Technical

Standard Sensitivity	100 mV/g +/-10% nominal at 80 Hz
Frequency response	2Hz to 10kHz ±5% (-3 dB at 0.8 Hz)
Mounted base resonance	18kHz (nominal)
Isolation	Base isolated
Transverse sensitivity	Less than 5%
Electrical Noise	0.1 mg max
Supply Voltage	-24V DC
Bias Voltage	-12 Volts DC (nominal)
Temperature range for	-55 °C to 135 °C
Case material	Stainless steel
Weight	110 gms (nominal)
Sealing	IP67

## Certificate Details

Group II <sup>1</sup>	BAS02ATEX1057, EEx ia IIC T4 Ex II 1GD T45°C
Terminal parameters	U <sub>i</sub> = 28V, I <sub>i</sub> = 93mA, P <sub>i</sub> = 0.65W For C <sub>i</sub> and L <sub>i</sub> see certificate
Barrier	1 x MTL5031 Isolator to BAS01ATEX7151 or any other barrier that conforms to Note 4 of drawing ATX014.

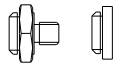


## Studs and grub screws



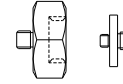
Part #	From	To
MS036	¼"-28 UNF Male	M6 Male
MS039	¼"-28 UNF Male	10-32 UNF Male
MS067	¼"-28 UNF Male	M8 Male
MS068	¼"-28 UNF Male	¼"-28 UNF Male
MS124	¼"-28 UNF Male	M10 Male
MS132	¼"-28 UNF Male	M12 Male

## Quick fit adapters



Part #	From	To
MS001	Q/F Male	Glue base
MS002	Q/F Male	M8 Male
MS003	Q/F Male	M10 Male
MS004	Q/F Male	¼"-28 UNF Male
MS006	Q/F Male	M6 Male

## Mounting adapters



Part #	From	To
MS005	Q/F Male	¼"-28 UNF Female
MS007	Q/F Male	10-32 UNF Female
MS008	Q/F Male	M8 Female
MS011	¼"-28 UNF Male	Q/F Female
MS013	¼"-28 UNF Male	Glue base
MS033	¼"-28 UNF Male	Q/F Female
MS038	Q/F Male	M8 Conical Male
MS061	¼"-28 UNF Male	10-32 UNF Male
MS079	¼"-28 UNF Male	Q/F Female
MS106	Q/F Male	M10 Female

## Isolation

Part #	From	To
MS034	¼"-28 UNF Male	¼"-28 UNF Female
MS093	Q/F Male	M8 Male

## Barrier Connection (For more detailed connection

information please request system drawing ATX014)

Part #	Mounting	Optional Velocity (mm/s rms)
MTN/1109I-xx	¼" UNF Female	0-10 mV/g 0-30 mV/g 0-50 mV/g
MTN/1109IQ-xx	Q/F Female	

